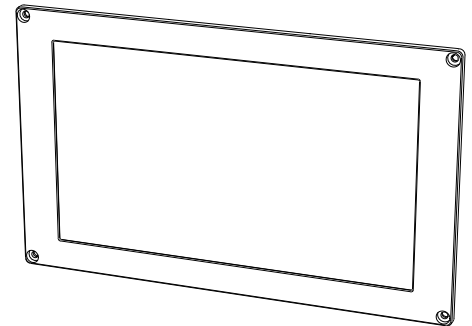


APT4015A(x)

Panel computer 15.6"

- Intel® Atom™ single core 1.46 GHz
- 2 GB RAM, 4 GB eMMC Flash
- TFT 15.6" display, (1366 × 768) pixels
- Resistive touch panel
- 2× Ethernet 1 Gbps, RJ45
- 2× USB 2.0 type A, 1× RS232, 1× RS485 with GI
- MiniPCle/mSATA slot, microSD card slot
- Linux / TouchDet / Windows



TECHNICAL DATA

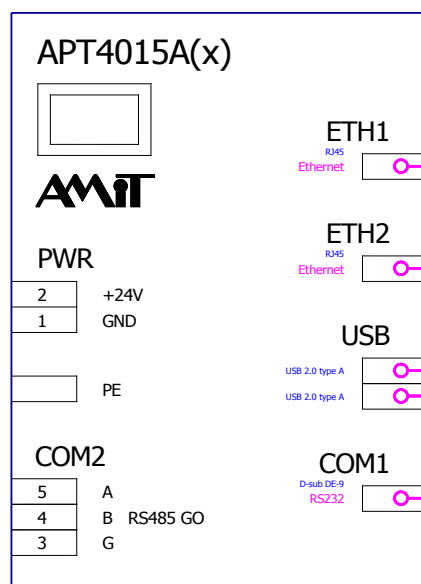
CPU	Intel Atom E3815 Single-Core 1.46 GHz, 2 GB RAM DDR3, 4 GB eMMC Flash
RTC back-up	Lithium battery B-CR2032
Operating system	Linux / Windows
Display	TFT 15.6", (1366 × 768) pixels, 262k colours
Brightness, contrast	Typ. 300 cd/m ² , typ. 500:1
Viewing angles	Typically 140° horizontally, 120° vertically
Backlight / lifetime	LED / 50,000 hours *)
Touch panel	(347 × 197) mm, resistive
Communication	
USB	2× USB 2.0 type A
Ethernet	2× 1 Gbps / RJ45
RS232	1× D-sub DE-9, plug
RS485 with GI	1×
External storage slots	
MicroSD card slot	1×
miniPCle/mSATA slot	1×
Power supply	16.8 V DC to 33.6 V DC
Consumption	Max. 1 A at 24 V DC
Other	
Mounting	Into the panel switchboard
Colour	Black soft matted RAL 9005
Ingress protection rate – front panel / rear cover	IP54 / IP20
Operating temperature range	0 °C to 50 °C
Maximum ambient humidity	< 90 % non-condensing
Weight	4.58 kg
Dimensions (w × h × d)	(420 × 254 × 66) mm

*) Brightness drop to 50 %

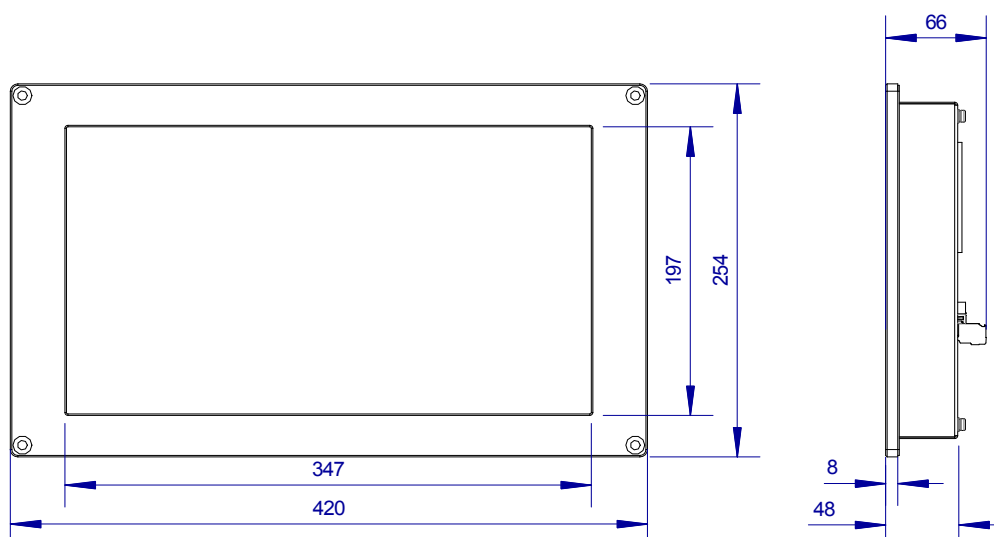
ORDERING INFORMATION

APT4015A	Panel computer 15.6" with Linux operating system, connector counterparts
APT4015AT	Panel computer 15.6" with TouchDet environment, connector counterparts
APT4015AW	Panel computer 15.6" with Windows operating system, MSATA SSD 128 GB/l, connector counterparts

RECOMMENDED DRAWING SYMBOL



MECHANICAL DRAWING



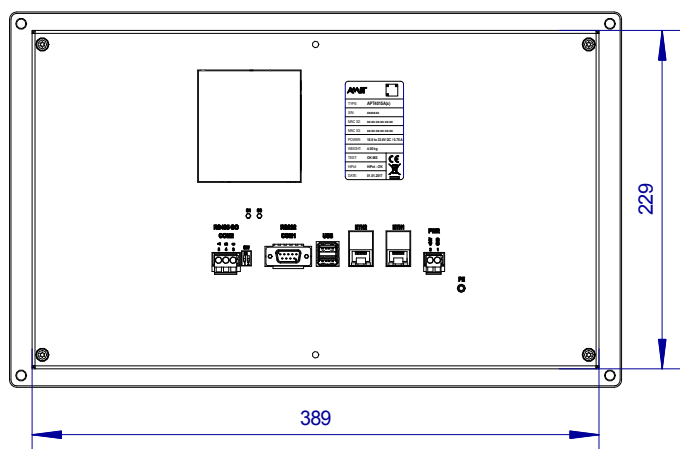
DESCRIPTION OF TERMINALS

Power supply

Terminal	Signal	Description
1	GND	GND power supply
2	+24V	Power supply +24 V DC

RS485 with galvanic isolation

Terminal	Signal	Description
3	G	RS485 with GI, ground
4	B	RS485 with GI, signal B
5	A	RS485 with GI, signal A



Data provided in this datasheet is informative only. Detailed information can be found in the operation manual ([apt4015ax_g_en_xxx.pdf](#)). Documentation can be downloaded at amitautomation.com.